

## SensoFOT MCP50 IP67 Waterproof Manual Call Point

**EN54-11**  
**EN60529**

### Description

SensoFOT MCP50 IP67 is a manual call point designed to work in conventional fire alarm systems and especially for outdoor installation and IP67 environments. The call point has a resettable fragile (flexible) working element to ensure reliable and safe operation. A protective transparent cover is mounted for avoiding of fault or accidental activation. The declared protection is achieved using the supplied in the kit IP67 rated cable glands.

The LED indication informs the user for fire and test events.



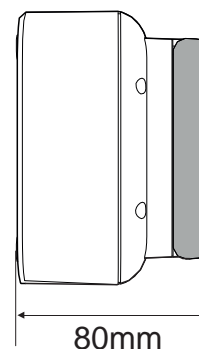
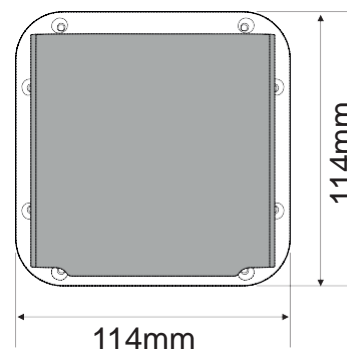
### Technical and Environmental Specifications

Operating voltage ..... 9 ÷ 30 VDC  
 Nominal operating voltage ..... 24 VDC  
 Current consumption in alarm state .... 23mA/15V; 38mA/24V; 48mA/30V  
 Installation wires ..... 2.5mm<sup>2</sup>  
 Operation temperature ..... -10 °C ÷ +60 °C  
 Relative humidity ..... ≤93% @ +40 °C  
 Type of the frangible element ..... A  
 Material (plastic), color ..... ABS, red  
 Degree of protection ..... IP67  
 Dimensions ..... 114x114x80mm  
 Weight ..... 262g

**CE**<sub>17</sub>  
1293

DoP No: 061

1293-CPR-0539



### Packing Information

- **Packing box** - Kit of 1 unit SensoFOT MCP50 IP67, 1 unit special tool for test and reset, 8 mounting screws, 2 IP67 rated cable glands; dimensions 121x121x82mm
- **Carton box** - 40 kits of SensoFOT MCP50 IP67, dimensions 560x362x320mm

### Compatible Product Range

- **FOT2, FOT2P** - Conventional Fire Alarm Panel, 2 fixed zones
- **FOT4, FOT4P** - Conventional Fire Alarm Panel, 4 fixed zones
- **FOT8** - Conventional Fire Alarm Panel, 8 fixed zones
- **FOT8Plus** - Conventional Fire Alarm Panel, 8 fixed zones, expandable to 16

## SensoFOT MCP50 IP67 Waterproof Manual Call Point

EN54-11  
EN60529

### ● Connection Diagrams

