

FOT-IRIS PRO

Addressable Fire Alarm Panel

EN54-2/4

Description

FOT-IRIS PRO is an addressable fire panel with maximum coverage of 96 zones and connecting 1 to 4 loops. The information for the system status is visualized on sensitive graphic display and LED indication for zones and troubles.

The panel has also built-in real time clock and comprehensive day/night mode facility. With special 2 Steps of alarm level working algorithm the false alarms could be effectively minimized.

The panel supports communication protocol *FOT fire control (IRIS FFC loop)*.

The control panel is placed in metal box with simple and clear design. The access to the control panel PCB is protected with a key.

Direct programming with *ProSTE* software via micro USB standard interface.



CE
17
0832
DoP No: 065



0832-CPR-F1672

Technical and Environmental Specifications

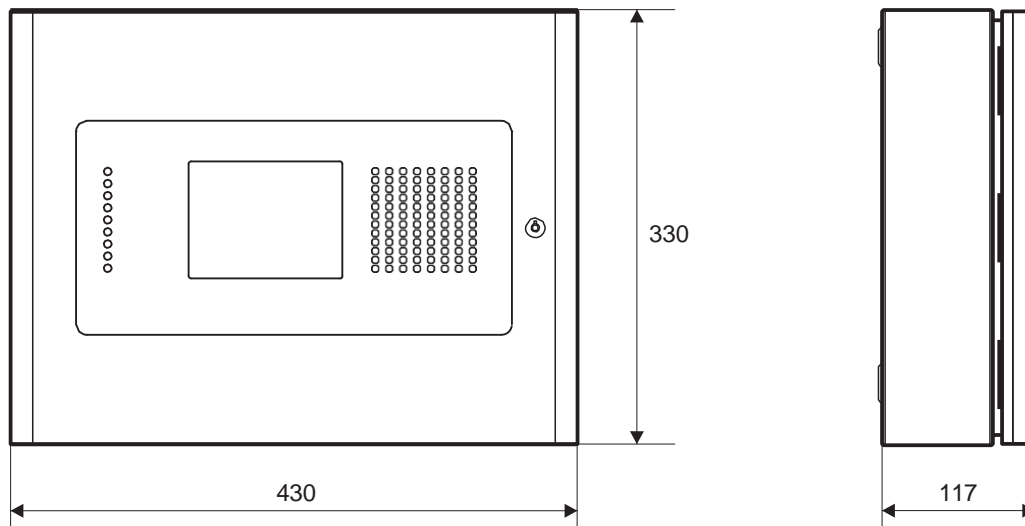
Main Power Supply	~230VAC ± 10%
Frequency	50/ 60Hz
Back-up Power Supply	1 battery, 12V/ 18Ah
Electrical output	7.0A
Internal resistance of accumulator battery Ri	<0.3Ω
Loops (according the hardware configuration)	1 - 4
Zones	96
Zone groups	48
Outputs (monitored, relay)	4
Outputs (non-monitored, programmable, relay)	4, 15A@24VDC
Programmable inputs/outputs	up to 128
Memory LOG	10000 events
Panels in network*	up to 32
Thermal printer	option
Multi language support	YES
Operating temperature	-5°C to +40°C
Relative humidity resistance	(93 ± 3)% @ 40°C
Weight (without battery)	~6kg
Color	Grey
Dimensions	430x330x117mm

* Ethernet (via built-in TCP/IP protocol) or RS485 redundant network (optional module).
Note: Only one network type can be used in one network with connected panels.

FOT-IRIS PRO

Addressable Fire Alarm Panel

EN54-2/4



Packing Information

- **Single packing box** - 1 unit FOT-IRIS PRO Fire Alarm Panel, dimensions 435x335x122mm
- **Carton packing box** - 2 units FOT-IRIS PRO Fire Alarm Panel, dimensions 507x427x335mm

Compatible Product Range

- **FOT-IRIS FFC loop** - Expander for 1 loop, FFC communication protocol, up to 250 FOT-SensolRIS devices (not more than 128 fire detectors and/or manual call points)
- **Redundant network module** - Optional module for RS485 redundant network
- **FOT-SensolRIS Addressable Series** - Detectors, call points, modules and sirens
- **FOT-IRIS/ FOT-SIMPO Repeater** - Repeater panel for visualizing the information from one or connected in network panels
- **Observer** - Monitoring Software