

FOT-SensoIRIS M140

Combined Fire Alarm Detector

EN54-5/7

Description

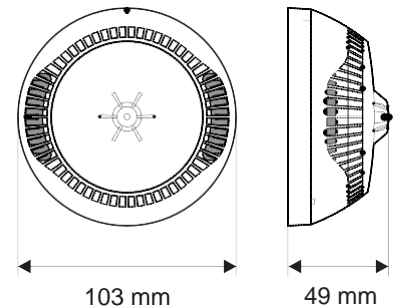
FOT-SensoIRIS M140, is an addressable combined (temperature and optical-smoke) detector, designed for installing in addressable fire alarm systems supporting FFC communication protocol. The detector is powered on from the panel and can be controlled via the communication protocol.



Technical and Environmental Specifications

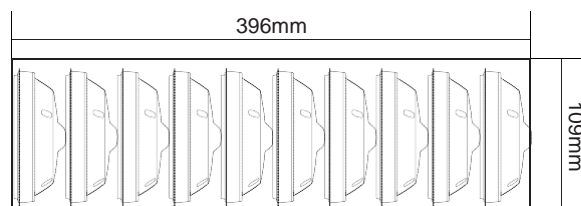
Operating Voltage Range 15 - 30VDC (Nom. 27VDC)
 Consumption in quiescent state, no communication . < 160µA@27VDC
 Consumption in quiescent state, with communication < 200µA@27VDC
 Consumption in alarm state, with communication ... 6.5mA
 Class (in accordance with EN54-5) A1R
 Sensitivity (in accordance with EN54-7) High/ Normal/ Middle/ Low
 Output in alarm state at terminal RI (terminals 4/ 1) .7.5 mA (max)/ 7.5V
 Wire Gauge for terminals 0.4mm² - 2.0mm²
 Operating temperature -10°C to +65°C
 Relative humidity resistance (93 ± 3)% @ 40°C
 Protection IP30
 Weight (including base) ~125g
 Dimensions (including base) 103x49mm

CE 13
 0832
 DoP No: 057
 0832-CPD-2201



Packing Information

• **Master box** - 10 units FOT-SensoIRIS M140, dimensions 396 x 109 x 109 mm, without base. All detectors are protected with a plastic cap.



Compatible Product Range

- **FOT-IRIS** - Addressable Fire Panel
- **FOT-SIMPO** - Addressable Fire Panel
- **FOT-SensoIRIS FRL-1** - Remote Fire Indicator
- **FOT-SensoIRIS B124** - Standard Base
- **Deep Base** - Accessory for mounting on rough surfaces, outdoor pipelines, etc.
- **FOT-SensoIRIS Programmer** - Address Programming Tool