

SensolRIS M140 IS

Combined Fire Alarm Detector

EN54-5/ 7/ 17

Description

FOT-SensolRIS M140 IS, is an addressable combined (temperature and optical-smoke) detector with built-in isolator module, designed for installing in addressable fire alarm systems supporting FFC communication protocol.

The detector is powered on from the panel and can be controlled via the communication protocol.



Technical and Environmental Specifications

Operating Voltage Range 15 - 32VDC (Nom. 27VDC)

Consumption in quiescent state, no communication . < 190µA@27VDC

Consumption in quiescent state, with communication < 310µA@27VDC

Consumption in alarm state, with communication . . . 6.5mA

Class (in accordance with EN54-5) A1R

Sensitivity (in accordance with EN54-7) High/ Normal/ Middle/ Low

Protected area up 120m²

Installation height up 1.6m

Output in alarm state at terminal RI (terminals 4/ 1) . 7.5 mA (max)/ 7.5V

Wire Gauge for terminals 0.4mm² - 2.0mm²

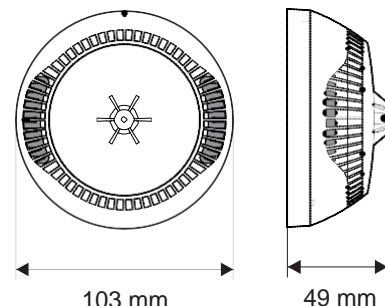
Operating temperature -10°C to +60°C

Relative humidity resistance (93 ± 3)% @ 40°C

Protection IP30

Weight (including base) ~125g

Dimensions (including base) 103x49mm



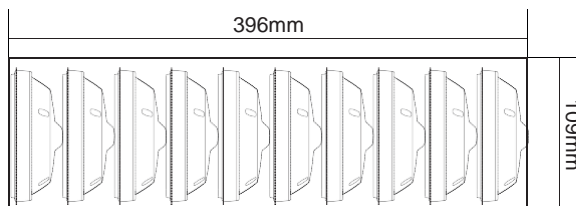
DoP No: 020

1293-CPR-0449

EVPU: N.B.1293

Packing Information

• **Master box** - 10 units FOT-SensolRIS M140 IS, dimensions 396x109x109 mm, without base. All detectors are protected with a plastic cap.



Compatible Product Range

- **FOT-IRIS** - Addressable Fire Alarm Panel, 96 zones
- **FOT-SIMPO** - Addressable Fire Alarm Panel, 16 zones
- **FOT-SensolRIS FRI-1** - Remote Fire Indicator
- **FOT-SensolRIS B124** - Standard Base
- **Deep Base** - Accessory for mounting on rough surfaces, outdoor pipelines, etc.
- **FOT-SensolRIS Programmer** - Address Programming Tool

Contact Information:

sales@fotfirecontrol.co.uk
www.fotfirecontrol.co.uk