

# SensolRIS WSST IS

## Addressable Wall Mount Sounder&Strobe

**EN54-3/ 17/ 23**

### Description

FOT-SensolRIS WSST IS is On addressable Wall Mount Sounder and Strobe designed for installing in addressable fire alarm systems supporting FFC communication protocol. The device is powered on from the panel and can be controlled via the communication protocol. FOT-SensolRIS WSST IS has a built-in isolator module.

The device FOT-SensolRIS WSST IS is compatible with fire bases B124 for ceiling or wall mounting and WSB IP65 for wall mounting.



### Technical and Environmental Specifications

Operating Voltage Range ..... 16 - 32VDC (Nom. 27VDC)

Nominal consumption (stand-by) ..... <500µA@27VDC

Maximal consumption (main tone type 27):

- low volume level, sound only ..... <5mA
- low volume level, sound and strobe ..... <12mA
- high volume level, sound only\* ..... <16.5mA
- high volume level, sound and strobe\* ..... <22mA

Maximal consumption (other tone types):

- low volume level, sound only ..... <4mA
- low volume level, sound and strobe ..... <11 mA
- high volume level, sound only ..... <10mA
- high volume level, sound and strobe ..... <16.5mA

Power volume (main tone type 27):

- low volume ..... ~ 80dB (A) ± 6dB @ 1m
- high volume\* ..... ~ 92dB (A) ± 5dB @ 1m

Powervolume (other tone types):

- low volume ..... 75-85dB ± 3dB @ 1m
- high volume ..... 80-95dB ± 3dB @ 1m

Number of tone types..... 32

Supported communication protocol..... TTE

Wire Gauge for terminals ..... 2.5mm<sup>2</sup>

Relative humidity resistance ..... (93 ± 3)% @ 40°C

Protection ..... IP21C

Color ..... white transparent

Material ..... SAN

\* **Note:** Approved to EN54-3 only!

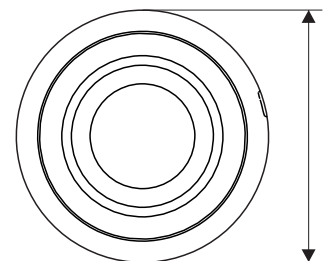
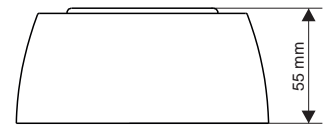


DoP No: 006

1293-CPR-0462 Rev.1

Tested by EVPU

1139d/01



### Packing Information

• **Packing box** - 1 unit FOT-SensolRIS WSST IS, dimensions 117x120x57mm.

• **Carton box** - 40 units FOT-SensolRIS WSST IS, dimensions 520x250x367mm.

### Compatible Product Range

- **FOT-IRIS** - Addressable Fire Panel, 4 loops, 96 zones
- **FOT-SIMPO** - Addressable Fire Panel, 2 loops, 48 zones
- **FOT-SensolRIS Programmer** - Address Programming Tool
- **FOT-SensolRIS B124** - Standard Base, indoor mounting
- **FOT-SensolRIS WSB IP65** - Waterproof IP65 Base, outdoor mounting

### Contact Information:

sales@fotfirecontrol.co.uk  
www.fotfirecontrol.co.uk

# SensoIRIS WSST IS

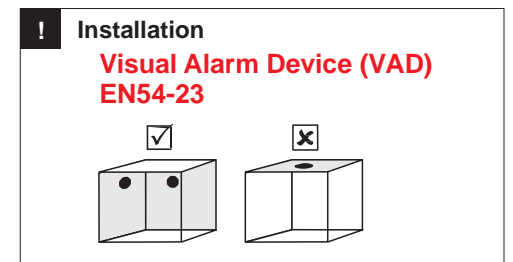
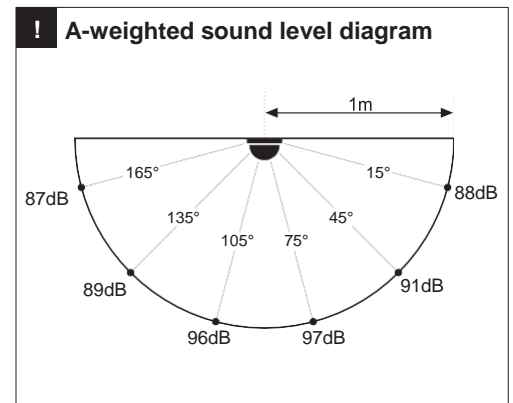
## Addressable Wall Mount Sounder&Strobe

**EN54-3/ 17/ 23**

### Supported Tone Types and Description

Tone	Tone Type	Tone Description / Application
1		970Hz
2		800Hz/970Hz @ 2Hz
3		800Hz - 970Hz @ 1Hz
4		970Hz 1s OFF/1s ON
5		970Hz, 0.5s/ 630Hz, 0.5s
6		554Hz, 0.1s/ 440Hz, 0.4s (AFNOR NF S 32 001)
7		500 - 1200Hz, 3.5s/ 0.5s OFF (NEN 2575:2000)
8		420Hz 0.625s ON/0.625s OFF (Australia AS1670 Alert tone)
9		500 - 1200Hz, 0.5s/ 0.5s OFF x 3/1.5s OFF (AS1670 Evacuation)
10		550Hz/440Hz @ 0.5Hz
11		970Hz, 0.5s ON/0.5s OFF x 3/ 1.5s OFF (ISO 8201)
12		2850Hz, 0.5s ON/0.5s OFF x 3/1.5s OFF (ISO 8201)
13		1200Hz - 500Hz @ 1Hz (DIN 33 404)
14		400Hz
15		550Hz, 0.7s/1000Hz, 0.33s
16		1500Hz - 2700Hz @ 3Hz
17		750Hz
18		2400Hz
19		660Hz
20		660Hz 1.8s ON/1.8s OFF
21		660Hz 0.15s ON/0.15s OFF
22		510Hz, 0.25s/ 610Hz, 0.25s
23		800/1000Hz 0.5s each (1Hz)
24		250Hz - 1200Hz @ 12Hz
25		500Hz - 1200Hz @ 0.33Hz
26		2400Hz - 2900Hz @ 9Hz
27*		2400Hz - 2900Hz @ 3Hz 2500Hz (main sound frequency)
28		800Hz - 970Hz @ 100Hz
29		800Hz - 970Hz @ 9Hz
30		800Hz - 970Hz @ 3Hz
31		800Hz, 0.25s ON/1s OFF
32		500Hz - 1200Hz, 3.75s/0.25s OFF (AS2220)

\* Note: Approved to EN54-3 only!



**Installation**

- IP21C (EN54-3)\*  
IP65 (EN60529)\*\*
- 10°C ÷ +50°C
- ~183g
- Indoor use\*
- Outdoor use\*\*

\* When used with base B124  
\*\* When used with base WSB IP65