

SensoFOT M40 Combined Fire Alarm Detector

EN54-5/7

Description

SensoFOT M40 is a combined (optical-smoke and rate-of-rise) detector with digital processing algorithm. The integrated automatic drift compensation reduced significantly the false alarms.

SensoFOT M40 is suitable for installing in any conventional fire alarm system designed with fire alarm panel with fire alarm threshold between 10mA and 15mA.



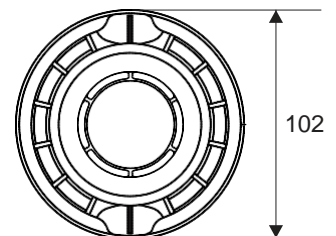
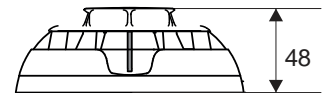
Technical and Environmental Specifications

- Operating Voltage Range 9 - 30 V DC (Nom. 12/24VDC)
- Average current consumption in quiescent state.. < 50µA
- Alarm state current:
 - with base type B24 and B24D 20 mA / 12÷30V
 - with base type B24RD 33 mA / 12V; 49mA/24V; 57mA/30V
 - with base type B12L/U 18 mA / 9V; 29mA/12V; 32mA/15V
- Class (in accordance with EN54-5/7) A1R
- Output in alarm state at terminal RI 20mA (max)/ -3.3V
(Towards terminals +IN/+OUT)
- Degree of protection IP30
- Wire Gauge for terminals 0.4mm² ÷ 2.0mm²
- Operational temperature range.....-10 °C ÷ +60 °C
- Relative humidity resistance..... (93 ± 3)% @ 40 °C
- Dimensions (incl. base) ø102mm, h 48mm
- Weight (incl. base) 170g

CE 09
1293

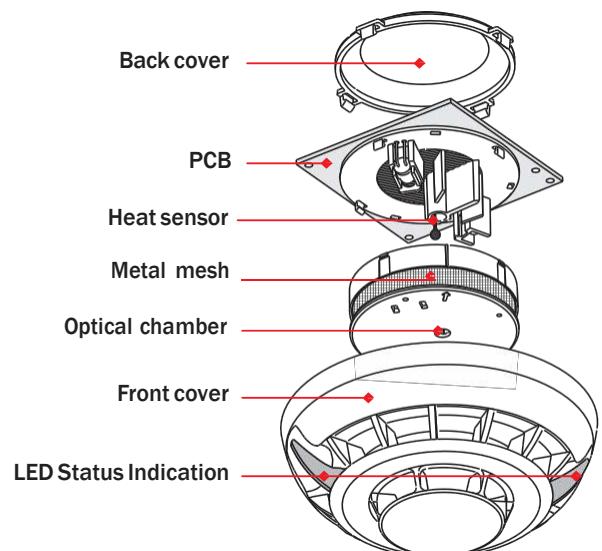
DoP No: 049

1293-CPD-0120



Application

SensoFOT M40 is a combined smoke and rate-of-rise temperature detector. It is the right choice for applications where the early detection of a fire situation is with great importance and high reliability is needed - in timbered, museums, hotel rooms.



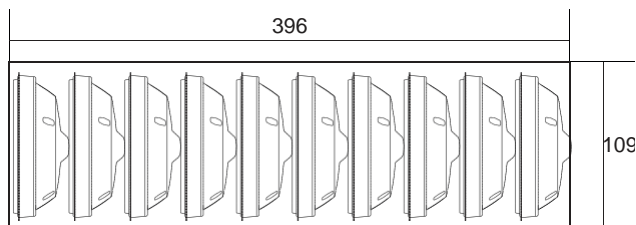
SensoFOT M40 Combined Fire Alarm Detector

EN54-5/7

Packing Information

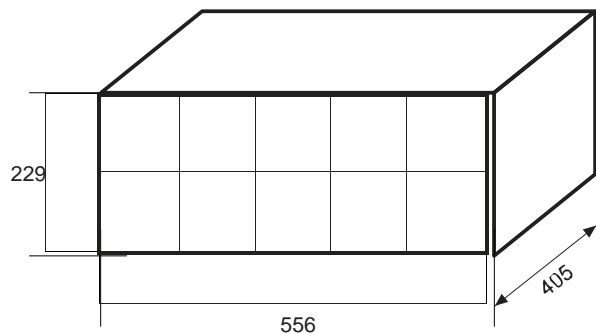
• **Master box** - 10 units SensoFOT M40, no bases included, dimensions 396 x 109 x 109 mm.

All detectors are protected with a plastic cap.



• **Carton box** - 100 units SensoFOT M40, (10 master boxes), no bases included, dimensions 556 x 405 x 229 mm.

All detectors are protected with a plastic cap.



Compatible Product Range

- FOT2, FOT2P - Conventional Fire Alarm Panel, 2 fixed zones
- FOT2, FOT4P - Conventional Fire Alarm Panel, 4 fixed zones
- FOT8 - Conventional Fire Alarm Panel, 8 fixed zones
- FOT8Plus - Conventional Fire Alarm Panel, 8 fixed zones, expandable to 16
- FRL-1 - Remote Fire Indicator
- SensoFOT B24 - Standard Base
- SensoFOT B24D - Standard Base with Schottky diode
- SensoFOT B24RD - Standard Base with Schottky diode and increased alarm state current
- SensoFOT B12L/U - Base with relay output, 12V
- Gasket ring - Rubber gasket ring for extra protection of the smoke chamber
- Deep Base - Accessory for mounting on rough surfaces, outdoor pipelines, etc.